

T14-1

Sec. T- Pg. 14-1.  
(12-Aug-17)

# Barmeg POY / FDY Guides.

Sec. T- Pg. 14-1.  
(12-Aug-17)

T14-1

1	<p><b>D 057.</b></p>	<p><b>D 307-1.</b></p>	
2	<p><b>D 307-2.</b></p>	<p><b>D 306-1.</b></p>	
3	<p><b>D 306-2.</b></p>	<p><b>D 1600-2</b></p>	
4	<p><b>D 1772.</b></p>	<p><b>D 1771.</b></p>	<p><b>D 1607</b></p>
5	<p><b>D 1772.</b></p>	<p><b>D 1771.</b></p>	<p><b>D 1607</b></p>
6	<p><b>D 338-2.</b></p>	<p><b>D 724.</b></p>	
7	<p><b>D 1042-282-2.</b></p>	<p><b>D 1144.</b></p>	<p><b>D 1141.</b></p>

All dimensions in mm. SCALE 1:1-- Unless Specified. Please confirm critical dimensions before ordering.

T14-1



DES CERAMICA P. LTD. 432, NAIGAUM CROSS ROAD, WADALA, MUMBAI 400031, INDIA  
PH NO : 91-22-24121176, FAX NO : 91-22-24148196, EMAIL : des@vsnl.com, Web : www.desceramica.com



T14-1

T14-2

Sec. T- Pg.14-2.  
(12-Aug-17)

# Barmeg POY / FDY Guides.

Sec. T- Pg.14-2.  
(12-Aug-17)

T14-2

<p>1</p> <p><b>D 1166.</b></p>	<p><b>D 1348.</b></p>	<p><b>D 1269.</b></p>	<p><b>D146.</b></p>
<p>2</p> <p><b>D354-1, A=3.90</b> <b>D354-2, A=4.4</b></p>	<p><b>D 1061.</b></p>	<p><b>D 1353</b></p>	
<p>3</p> <p><b>D 1180.</b></p>	<p><b>D 1941.</b></p>	<p><b>D 1918.</b></p>	<p><b>D322-1 A=3.9</b> <b>D322-2 A=4.2</b></p>
<p>4</p> <p><b>D 743.</b></p>	<p><b>D 1106.</b></p>	<p><b>D 1406-1.</b></p>	<p><b>D 1850.</b></p>
<p>5</p> <p><b>D 1898.</b></p>	<p><b>D 1290.</b></p>	<p><b>D 305.</b></p>	
<p>6</p> <p><b>D 1534.</b></p>	<p><b>Catch Lock guide assembly , a) L=103mm &amp; b) L=85mm</b></p>		
<p>7</p> <p><b>Rotor 1011-RO</b> <b>POY RO-10 end ,OD=260mm</b></p>	<p>1012-LO</p> <p><b>POY LO-10 end ,OD=260mm</b></p>	<p>1014-RU</p> <p><b>POY RU-10 end ,OD=263mm</b></p>	<p>1013-LU</p> <p><b>POY LU-10 end ,OD=263mm</b></p>

All dimensions in mm. SCALE 1:1-- Unless Specified. Please confirm critical dimensions before ordering.

T14-2



DES CERAMICA P. LTD. 432, NAIGAUM CROSS ROAD, WADALA, MUMBAI 400031, INDIA  
PH NO : 91-22-24121176, FAX NO : 91-22-24148196, EMAIL : des@vsnl.com, Web : www.desceramica.com



T14-2

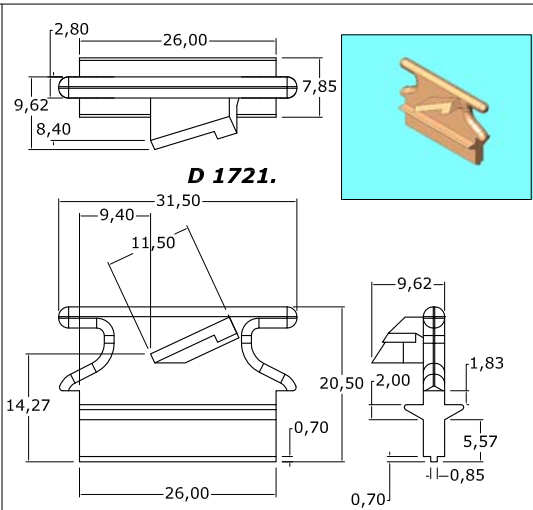
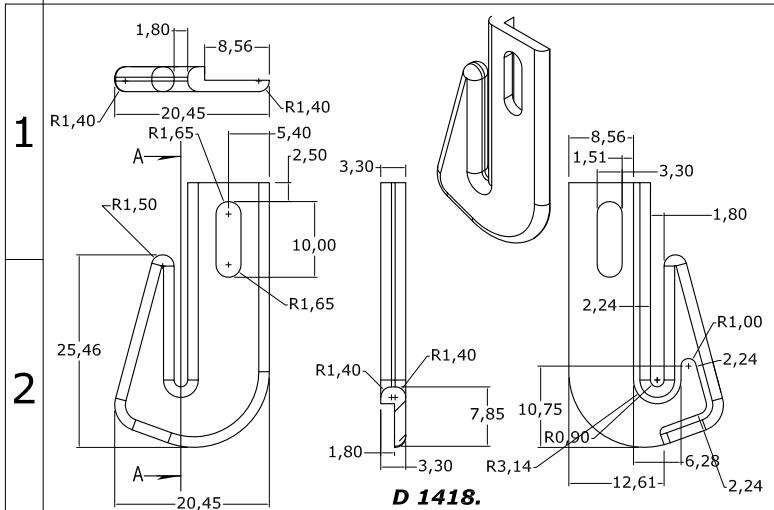
T14-3

Sec. T- Pg.14-3.  
(12-Aug-17)

Barmeg POY / FDY Guides.

Sec. T- Pg.14-3.  
(12-Aug-17)

T14-3

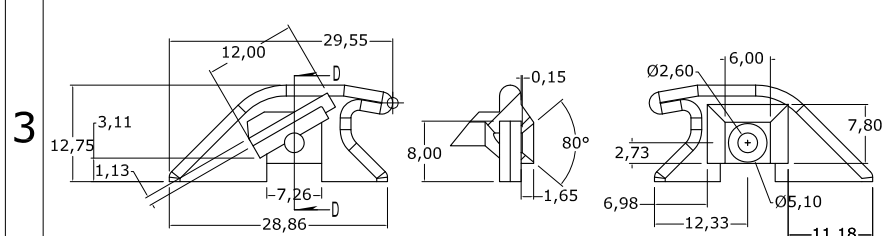


1

2

1

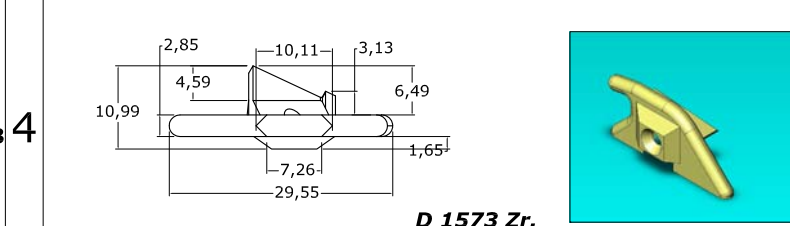
2



Blade with D338-2 ceramic

3

3



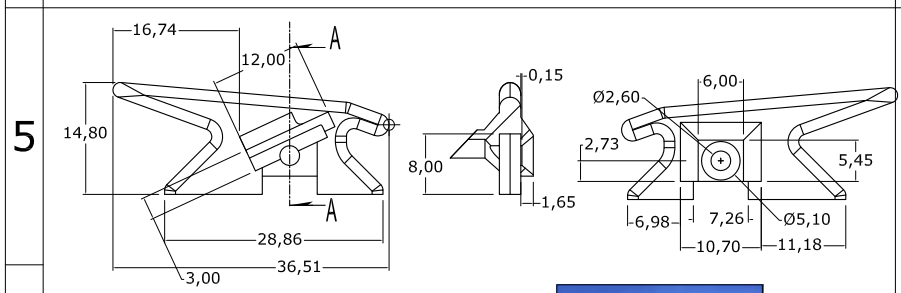
dia 1.9 X 20,  
dia 2.5X30  
dia 4 X 40,  
dia 3 X 30,  
dia 6 X 80  
dia 6 X 40  
dia 10X220  
dia 10X350



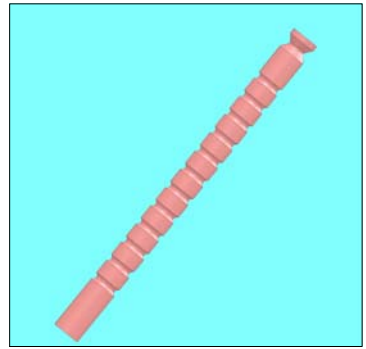
Bar / Rod guides.

T14-3

T14-3



**D 1605 Zr.**



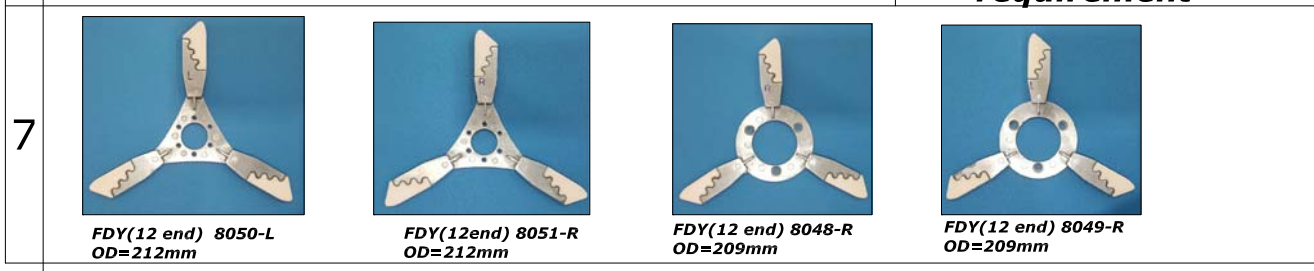
Rod Roller -  
made as per  
requirement

5

5

6

6



7

7

All dimensions in mm. SCALE 1:1-- Unless Specified. Please confirm critical dimensions before ordering.

T14-3



DES CERAMICA P. LTD. 432, NAIGAUM CROSS ROAD, WADALA, MUMBAI 400031, INDIA  
PH NO : 91-22-24121176, FAX NO : 91-22-24148196, EMAIL : des@vsnl.com, Web : www.desceramica.com



T14-3

T14-4 **Sec. T- Pg.14-4.**  
(12-Aug-17)

# Barmeg POY / FDY Guides.

**Sec. T- Pg.14-4.**  
(12-Aug-17)

T14-4

1	<p><b>D 740 - A.</b></p> <p>A = 10.20mm A=9.20mm A=8.20mm</p>	<p><b>D 484-2.</b></p>	1
---	---	------------------------	---

2	<p><b>D 1354.</b></p>	<p><b>D 1337.</b></p>	2
3			3

4	<p><b>D 1405.</b></p>	4
5		5

6	<p><b>D 1974.</b></p> <p>Detail C</p>	6
7		7

All dimensions in **mm.** **SCALE 1:1--** Unless Specified. Please **confirm critical dimensions** before ordering.

T14-4



**DES CERAMICA P. LTD.** 432, NAIGAUM CROSS ROAD, WADALA, MUMBAI 400031, INDIA  
 PH NO : 91-22-24121176, FAX NO : 91-22-24148196, EMAIL : des@vsnl.com, Web : www.desceramica.com



T14-4